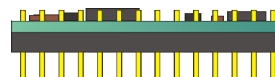
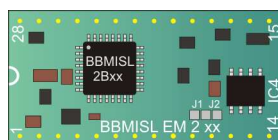
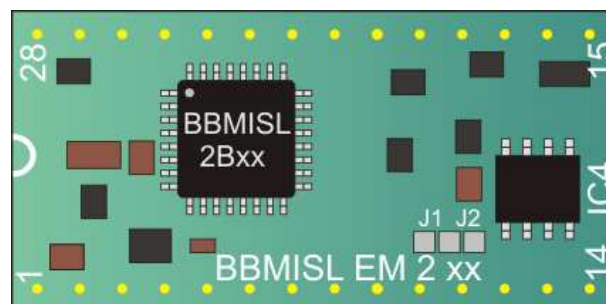


Miniatur Bitbus Slave Evaluation Module BBMISL EM2

The Evaluations Module BBMISL EM2xx is a complete Bitbus Slave Module based on the Miniatur Slave IC BBMISL2Bxx. All important components for operating, like 12MHz Clock generator, RS232 and RS485 Transceiver are integrated. It is ideal for realisation of fast test experiments, also for enduser with small quantities. For expanding the usage in different applications there is the possibility to use an extern RS485 or an optical transceiver instead of the built in. The module can be inserted like an IC in a 28pol. DIP socket. It is also pin compatible with the BBMISL EM1 module.



Original size 1:1

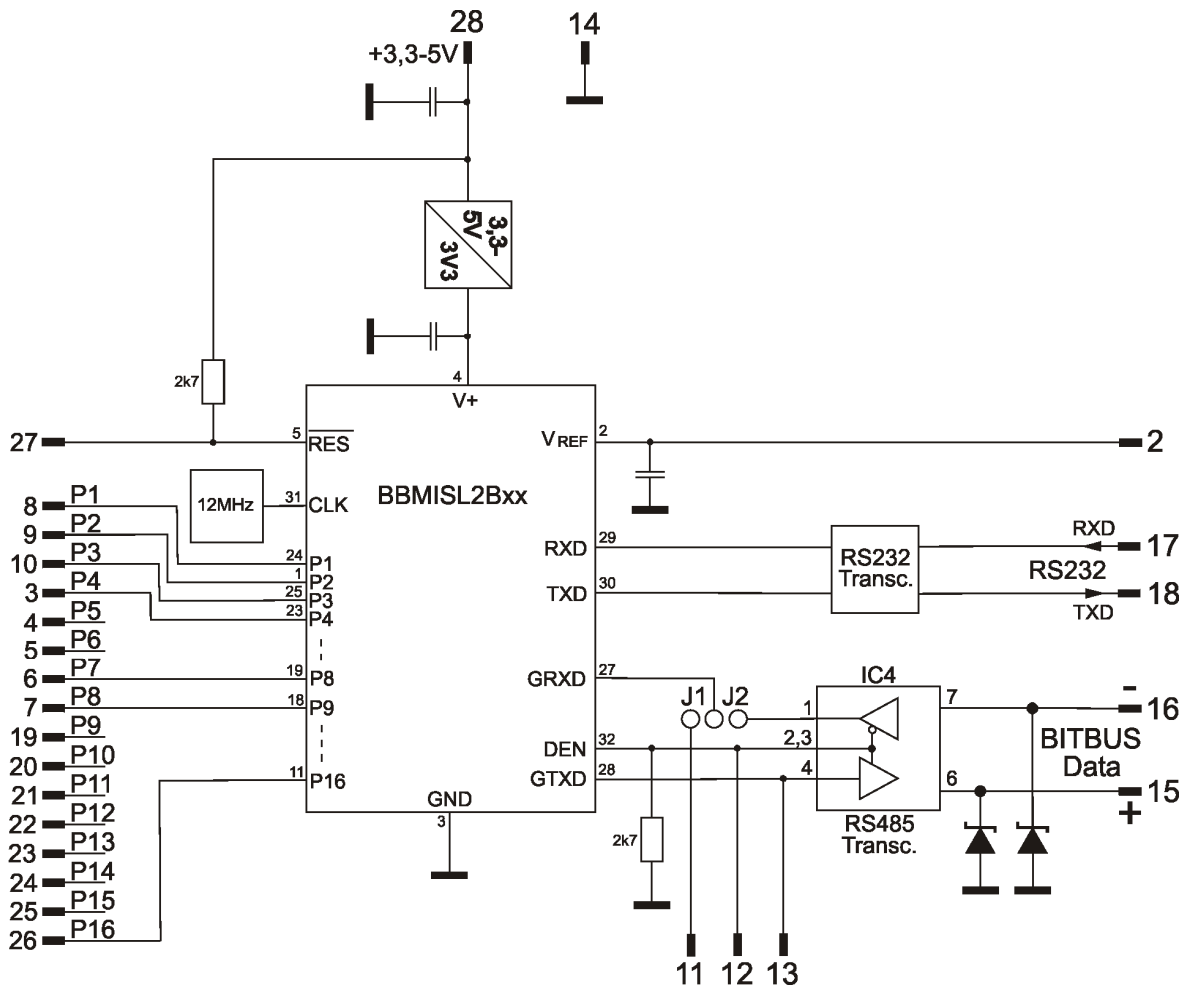
Inh. Ing. Helmut Krös
Rosenthalgasse 25
A-2380 Perchtoldsdorf

email: sykat@sykat.com
<http://www.sykat.com>

Tel: +43(0)664 9536827

Pinout

Name	Pin Nr.	Description
V+	28	+ Supply Voltage 3,3-5V
V _{REF}	2	ADC Ref. Voltage. Inp., Outp.
GND	14	Ground
RES	27	Reset Inp. 0-activ.
P1	8	I/O Port1, ADC, Dig. Inp., Outp.
P2	9	I/O Port2, DAC, Dig. Inp., Outp.
P3	10	I/O Port3, ADC, Dig. Inp., Outp.
P4	3	I/O Port4, ADC, Dig. Inp., Outp.
P5	4	I/O Port5, ADC, Dig. Inp., Outp.
P6	5	I/O Port6, ADC, Dig. Inp., Outp.
P7	6	I/O Port7, ADC, Dig. Inp., Outp.
P8	7	I/O Port8, ADC, Dig. Inp., Outp.
P9	19	I/O Port9, ADC, Dig. Inp., Outp.
P10	20	I/O Port10, ADC, Dig. Inp., Outp.
P11	21	I/O Port11, ADC, Dig. Inp., Outp.
P12	22	I/O Port12, ADC, Dig. Inp., Outp.
P13	23	I/O Port13, ADC, Dig. Inp., Outp.
P14	24	I/O Port14, ADC, Dig. Inp., Outp.
P15	25	I/O Port15, ADC, Dig. Inp., Outp.
P16	26	I/O Port16, ADC, Dig. Inp., Outp.
RXD	17	RS232 RXD Inp. 9600Bd
TXD	18	RS232 TXD Outp. 9600Bd
Data (-)	16	BITBUS RS485
Data(+)	15	BITBUS RS485
GRXD	11	GRXD Inp. from Ext. BITBUS Transc.
GTXD	13	GTXD Outp. to Ext. BITBUS Transc.
DEN	12	Transmit enable 1-activ, Ext. BITBUS Transc.



Schematic diagramm BBMISL EM2xx

Technical Data:

- Message Length: max. 255 Bytes
- Datarate: 62.5, 375 kBd
- Number of I/O Ports 16
- Digital Input Weak Pullup 100k Ω , 0-activ
- Digital Output Push Pull, ± 5 mA, 0-activ
- ADC Input 10Bit resolution, Voltage range 0- V_{REF}
- ADC Reference Intern 2,42V $\pm 3\%$, o. Extern max. 3-3,6V
- ADC Clock rate 200 Measurements. /s, at 15 Inputs
- DAC Output 10 Bit resolution, 0-2mA, typ. 1%, max. load resistor 900-1200 Ω at $V+$ 3-3,6V (Only Port2)
- RS232 9600Bd, For configuration I/O Ports, ADC Ref, Node Address, Datarate
- Voltage Supply 3,3-5V=, ap. 85 mA
- Operating Temp. Range 0 - +70°C
- Measurement WxLxH (18x36x8mm)
- Weight 5g

Subject to change